

Z667 6" WIDE MEDIUM-DUTY MODULAR TRENCH DRAIN



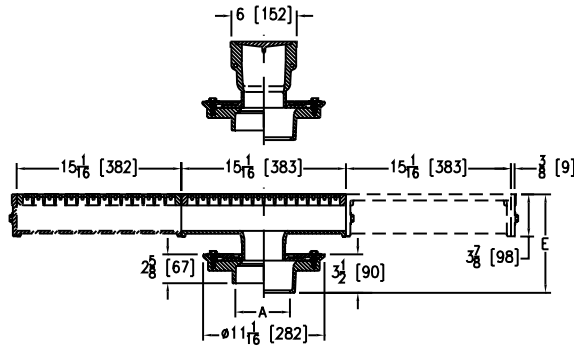
ENGINEERING SPECIFICATION

Zurn Z667 6" wide top sectional trench drain features Dura-Coated cast iron bottom outlet section, vertically and horizontally adjustable in cast iron drain section, with seepage pan and membrane clamp. Both 15" long outlet module section and extension modules are complete with loose, medium-duty, slotted grate.

NOTES

†Add 1/8" to 'E' dimension for ZN

A Pipe Size inch [mm]	Grate Open Area sq in [cm ²]	Approximate Weight lb [kg]
3 [76], 4 [102]	27 [174]	40 [18]



PREFIXES	DESCRIPTION	PIPE SIZE	LIST PRICE
Z667*	D.C.C.I. Body and Top	3", 4"	1,008.00
ZN667	D.C.C.I. Body with Polished Nickel Bronze Top	3", 4"	2,258.00

OUTLETS (SPECIFY PIPE SIZE IN INCHES AND TYPE OF OUTLET)				
OUTLET TYPE	PIPE SIZE/ OUTLET TYPE	E BODY HT. DIM.	ADD	
NL	Neo-Loc	3NL, 4NL	7-15/16" min.; 8-11/16" max.	N/C

SUFFIXES	ADD
-AR	Acid Resisting Epoxy Coated Cast Iron (Per Section) 544.00
-ES	15" Extension Section (Specify Number of Sections Required) Z 1,008.00 ZN 2,258.00
-G	Galvanized Cast Iron (Per Section) 308.00
-TC	Neo-Loc Test Cap Gasket (3", 4" NL Bottom Outlet Only) 24.00
-TS	Top Secured with Slotted Screws (Per Section) 181.00
-VP	Vandal-Proof Secured Top (Per Section) 242.00

BEST SELLERS	LIST PRICE
Z667-3NL-ES(1)	2,016.00
Z667-3NL-ES(2)	3,024.00
Z667-4NL-ES(7)	8,064.00

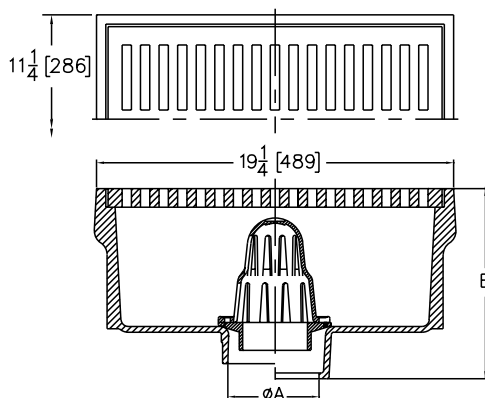
Z668 11-1/4" X 19-1/4" HEAVY-DUTY DRAIN



ENGINEERING SPECIFICATION

Zurn Z668 11-1/4" x 19-1/4" top drain features Dura-Coated cast iron body with bottom outlet, less seepage pan, secondary strainer, and loose, heavy-duty, slotted grate.

A Pipe Size inch [mm]	Grate Open Area sq in [cm ²]	Approximate Weight lb [kg]
4 [102], 6 [152]	60 [387]	115 [52]



PREFIXES	DESCRIPTION	PIPE SIZE	LIST PRICE
Z668*	D.C.C.I. Body and Top	4", 6"	6,280.00

OUTLETS (SPECIFY PIPE SIZE IN INCHES AND TYPE OF OUTLET)				
OUTLET TYPE	PIPE SIZE/OUTLET TYPE	E BODY HT. DIM.	ADD	
IC	Inside Caulk	4IC, 6IC	10-1/4"	N/C
IG	Inside Caulk w/ Sealrol Gasket	4IG, 6IG	10-1/4"	N/C
IP	Threaded	4IP, 6IP	8-5/8"	80.00
NH	No-Hub (IP w/Z1040)	4NH, 6NH	11-1/8"	N/C
NL	Neo-Loc	4NL	9-1/2"	N/C

SUFFIXES	ADD
-AR	Acid Resisting Epoxy Coated Cast Iron 3,789.00
-DG	Duresist Grate 1,971.00
-G	Galvanized Cast Iron 3,288.00
-TC	Neo-Loc Test Cap Gasket (4" NL Bottom Outlet Only) 24.00
-TS	Top Secured with Slotted Screws 211.00
-V	Backwater Valve (See Z1099) -
-VP	Vandal-Proof Secured Top 242.00

BEST SELLERS	LIST PRICE
Z668-4NH	6,280.00
Z668-6NH	6,280.00

*Regularly furnished unless otherwise specified.

Items designated as Best Sellers are most specified and are generally in stock for shipment.

⌚ This symbol denotes a product that is engineered to reduce installation and rework time.

For additional product information, please visit www.zurn.com